

A modern living room with a fireplace insert, a chair, and a large plant. The fireplace is in the foreground, with a fire burning inside. The room has a wooden floor, a large window with white curtains, and a modern chair with a patterned pillow. A large plant is in the background.

A .caminetti FIREPLACE INSERTS

FIRE A GIFT FROM THE NATURE, IT'S OUR
PLEASURE TO SERVE IT IN THE BEST WAY!



Peoples fireplace.

ABOUT US.

For more than 27 years A.Caminetti, formed by a small Italian family business, has developed into a large company that meets all the requirements of customers. A.caminetti adapts to all standards, simplicity in reliability and refinement in design.

Our company has been committed to generating heat conveniently, economically, with environmental responsibility and in accordance with trade requirements. With a wide variety of outstanding product developments which provides heating problem - solutions, A.Caminetti is being placed with the highest quality products world wide!

A.Caminetti's orientation is decisively international - as it exports in Europe,Asia and Africa region.

With a dedicated commitment and with a passionate work for fire, we achieved to be one of the leaders in the International Heating market. A.caminetti is not only a trade mark, but a solution for all the desires and customers fantasy, for a suitable and comfortable accomodation.





The Inspiration
behind **A.caminetti**

The passion and love for the wood fire inspired us to create the unique fireplaces A.caminetti.

A modern fireplace with a magnificent and cozy fire that will fill your spirit with inspiration and will relax your mind.

Our philosophy is different and our vision is positive.

Starting from Gladys Taber quote, a house with no fireplace is a house with no heart, we believe that every family deserve a fireplace in their home, we simply do our best for that.

The price, quality and fire performance will make you a satisfied client.



High Efficiency > 80%

Eco Friendly Product

Lovely Performance

Premium Design

Easy installation

Low emission

Safety / Easy operation



QUALITY





OUR COMPANY.

27 YEARS OF EXPERIENCE!

Production facilities located in Albania.

Warehouse in Munich/ Germany for express delivery in EU-COUNTRIES.

Production area 7000 sqm.

Annual production capacity,

8000 - Lift door fireplaces/wood burning.

ADVANTAGES.

- ✓ A.caminetti products **are made of high quality materials** that provide maximal functional efficiency.
- ✓ Our products will not leave indifferent even the most demanding buyer.
- ✓ **High power** will provide heating even in a large room.
- ✓ **Fuel for briquettes and fire wood.**
- ✓ The fireplaces are made of steel, which provides you with **reliable use for decades.**
- ✓ Each model can be orderd under **individual sizes.**
- ✓ **Products are certified** with- CE/ EN 13229/ Blm SchV II/ Flamme VERTE/ ECODESIGN.
- ✓ **Guarantee in 5 years** will allow you to be calm and confident in the reliability of the company.



OUR PRODUCTS.

Insert coat made of steel, with a thickness of 3 mm in accordance with EN 13229

Insert components manufactured using modern cnc machines (2D Laser and press brakes)

Insert welded with MAG, guaranteed high quality.

Steel door made of a special profile, guaranteeing rigidity and high-temperature resistance.

Heat resistant ceramic glass with working temperatures of up to 800°C.

Each material in our fireplaces are strictly chosen, we are proud for our partners,

Partner companies: Senotherm/ Schock metall/ Schott ROBAX/ Culimeta/ Skamol

Culimeta is global leading industry supplier in the field of gaskets for fireplaces, as well as door and window seals for industrial-, stove- and heating boiler constructions.

Skamol is technical insulation systems for a wide range of applications within building and industry. With our systems, we aim at adding significant value to our partners, customers and to the environment. By implementing our unique systems, benefits such as energy savings, enhanced performance, improved working and living environment and even reduced CO2 emissions can be achieved

SCHOTT ROBAX® glass-ceramic is "Engineered in Germany" and manufactured to demanding standards for quality and environmental management

Schock Metall stands for precision in ball bearing slides and special profiles. For more than 40 years, they have been using the high-precision Schock roll forming technology to manufacture telescopic slides and other sliding systems.

The senotherm® CLASSIC product line comprises a comprehensive range of conventional coating solutions. With a guaranteed "true" temperature resistance of up to 600 ° C





**A WIDE RANGE
OF SHAPES,
ACCORDING
TO YOUR
DESIRES
AND
PREFERENCES!**

- ▶ FLAT GLASS
- ▶ CORNER GLASS
- ▶ 3 SIDE GLASS (3D)
- ▶ 4 SIDE GLASS (4D)



WOOD BURNING ADVANTAGES.

Compared with using fossil fuels for heat (natural gas, propane, coal, etc.) wood is much more eco-friendly. It's considered "carbon-neutral," which means when it burns, it doesn't add additional carbon dioxide to the environment.

This is because in its natural state as a tree, wood absorbs carbon dioxide that's in the atmosphere.

During combustion, a balance is maintained.

If you live in a region that has occasional power outages throughout the winter, you know how valuable a heat source that is 100% self-contained can be.

With a dependable wood burning fireplace, you'll stay warm around the clock, regardless of your home's supply of gas or electricity .

A scenic winter landscape featuring snow-covered mountains, evergreen trees, a wooden bridge, and a lake. The scene is captured in a soft, overcast light, with snow piled up on the ground and on the bridge. The mountains in the background are rugged and partially covered in snow, with some rocky outcrops visible. The evergreen trees are densely packed and heavily laden with snow. The wooden bridge spans across the middle ground, and the lake in the foreground reflects the surrounding scenery. The overall atmosphere is peaceful and serene.

A.caminetti

*If the world seems cold to you,
kindle fires to warm it!*





*A.caminetti gives importance to details
and perfection to you.*



A.caminetti

INDIVIDUAL SIZES

A.caminetti company completes all the customer requirements, we have a new vision, to realise the fantasy of customer with the Individual sizes.

A.caminetti produce each model with individual sizes.

Turn your fantasy into reality.

Your faith to our company, for us is precious, we appreciate it maximally and do our best to make you a satisfied client.

A.caminetti



Crystal Series



GERMAN EDITION

Crystal 80 Max

A⁺



TECHNICAL SPECIFICATION

MODEL	CRYSTAL 80 MAX
POWER	7-13 KW
EFFICIENCY	85%
CONSUME	2,2 KG/H
HOT AIR OUTLET	2 X \varnothing 100 MM
WEIGHT	249 KG
FLUE GAS TEMPERATURE	220° C
FUEL	WOOD/BRIQUETTE
PIPE DIAMETER	\varnothing 200 MM
CO	0.044 %
WARRANTY	5 YEARS

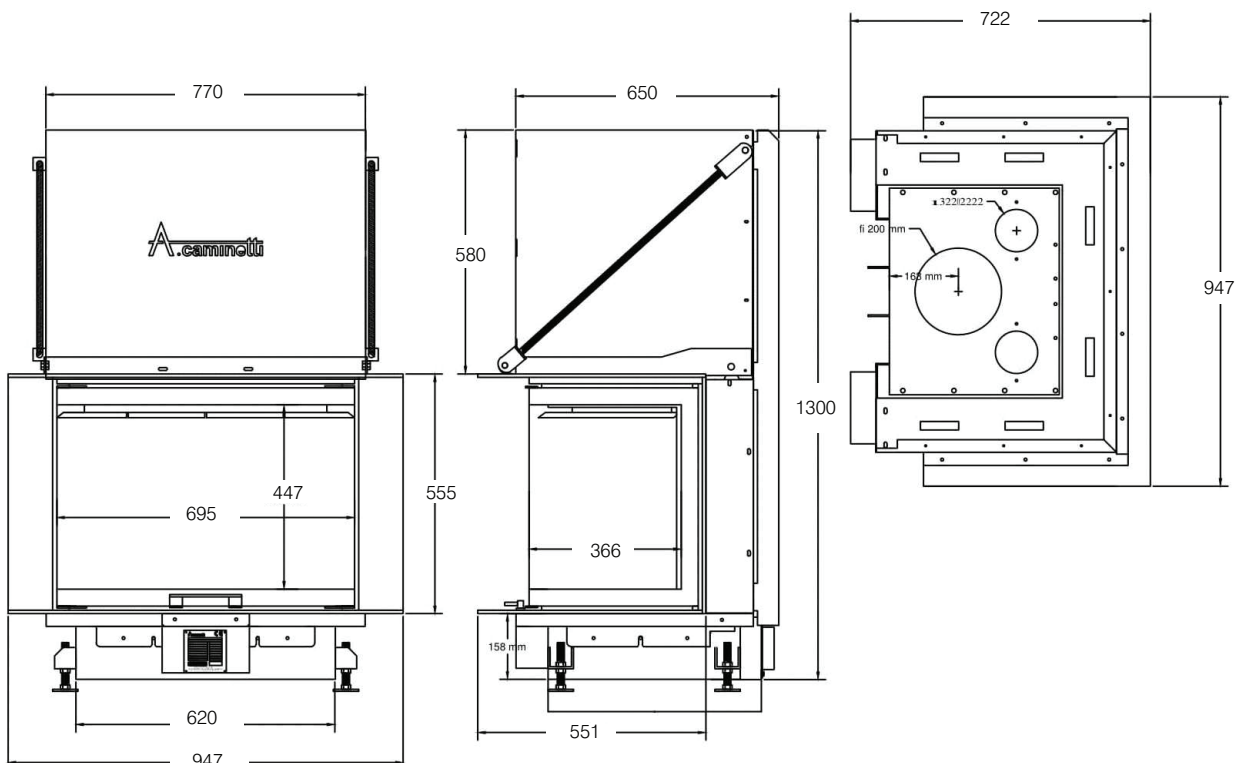
OVERALL DIMENSION

HEIGHT	1300 MM
DEPTH	722 MM
WIDTH	947 MM

flamme
VERTE



ECODESIGN
2022



GERMAN EDITION

Crystal 90 Max

A⁺



TECHNICAL SPECIFICATION

MODEL	CRYSTAL 90 MAX
POWER	10 - 17 KW
EFFICENCY	87%
CONSUME	4,3 KG/H
HOT AIR OUTLET	2 X Ø 100 MM
WEIGHT	275 KG
FLUE GAS TEMPERATURE	213° C
FUEL	WOOD/BRIQUETTE
PIPE DIAMETER	Ø 200 MM
CO	0.031 %
WARRANTY	5 YEARS

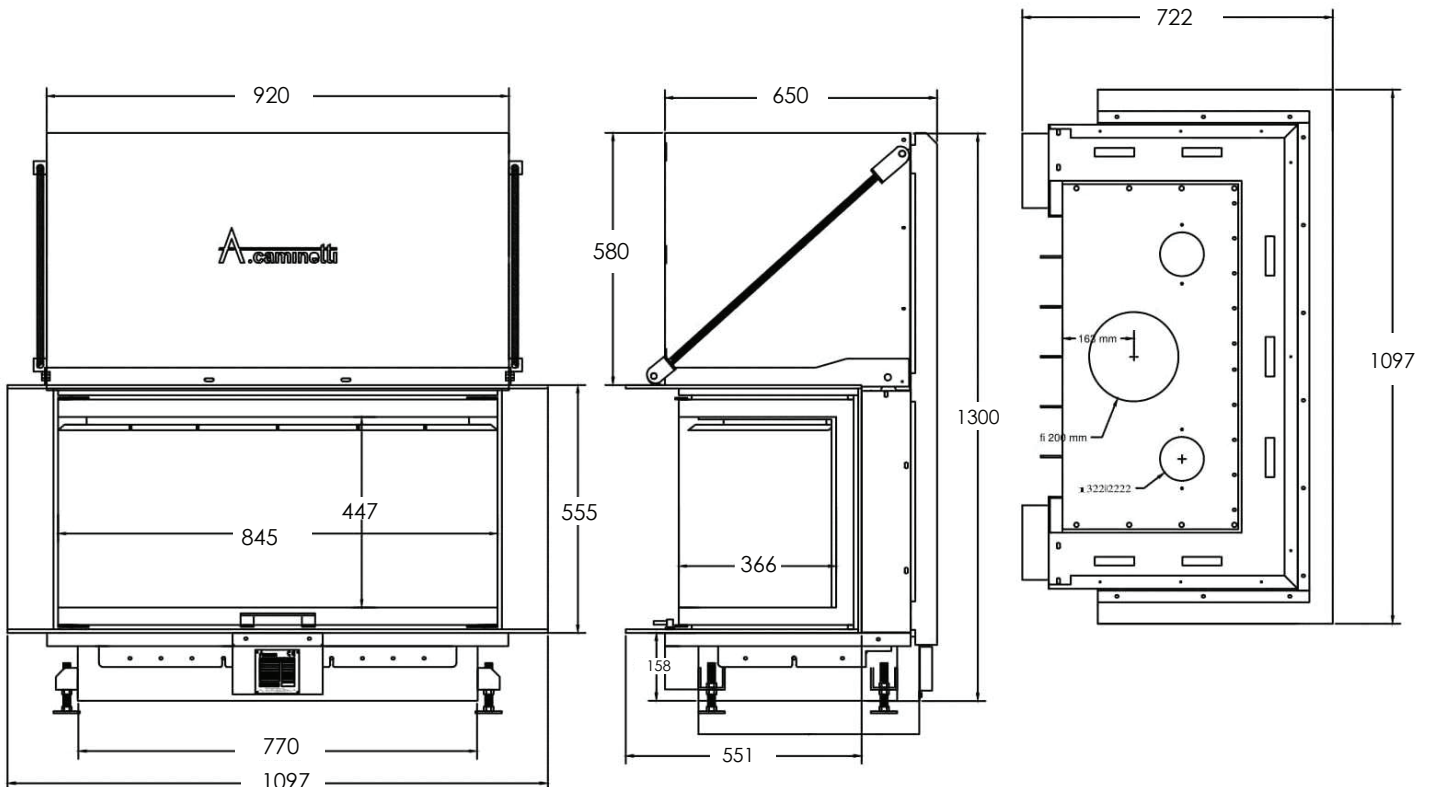
OVERALL DIMENSION

HEIGHT	1300 MM
DEPTH	722 MM
WIDTH	1097 MM

flamme
VERTE



ECODESIGN
2022



GERMAN EDITION

Crystal 110 Max

A+



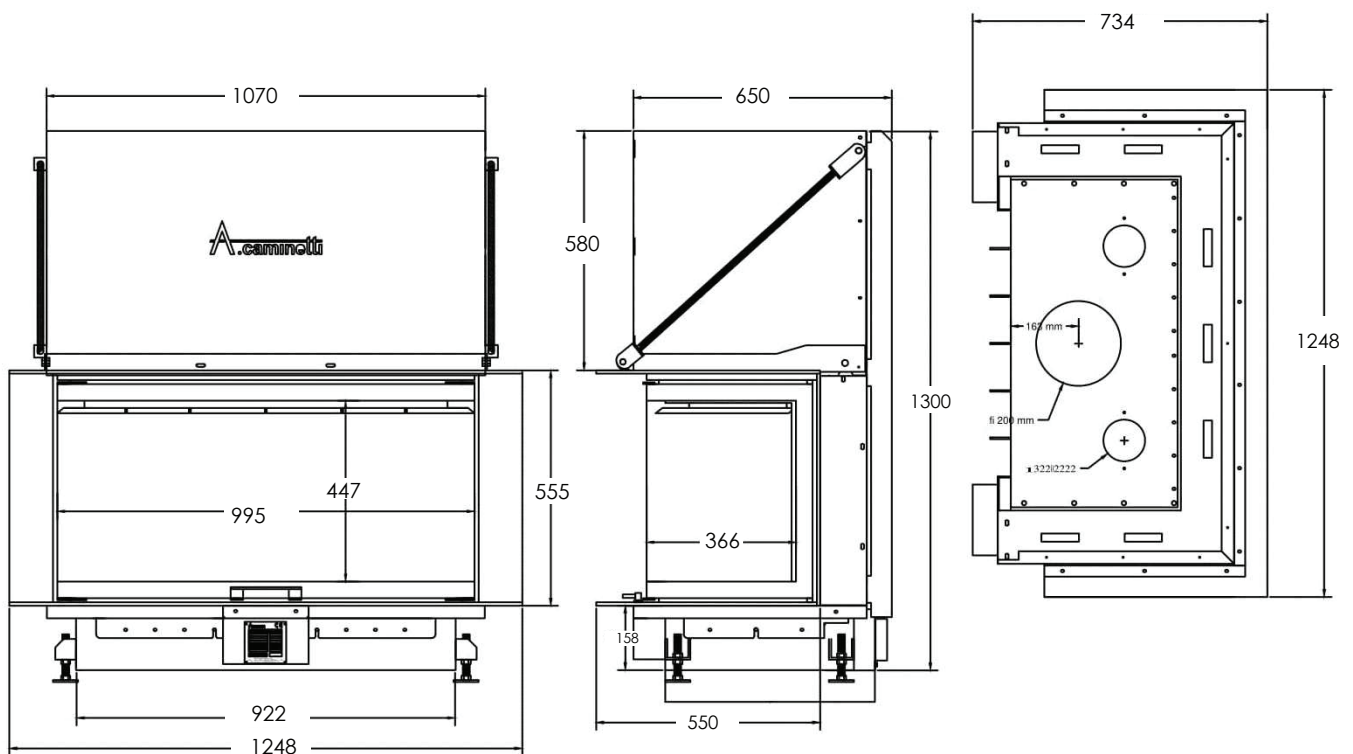
TECHNICAL SPECIFICATION

MODEL	CRYSTAL 110 MAX
POWER	13 - 18 KW
EFFICENCY	88%
CONSUME	4,8 KG/H
HOT AIR OUTLET	2 X Ø 100 MM
WEIGHT	302 KG
FLUE GAS TEMPERATURE	211 ° C
FUEL	WOOD/BRIQUETTE
PIPE DIAMETER	Ø 200 MM
CO	0.028 %
WARRANTY	5 YEARS

OVERALL DIMENSION

HEIGHT	1300 MM
DEPTH	734 MM
WIDTH	1248 MM

flamme
VERTE



GERMAN EDITION

Crystal 3D 50x60

A+



TECHNICAL SPECIFICATION

MODEL	CRYSTAL 3D 50x60
POWER	7-14 KW
EFFICENCY	85%
CONSUME	2,7 KG/H
HOT AIR OUTLET	2 X Ø 100 MM
WEIGHT	KG
FLUE GAS TEMPERATURE	218° C
FUEL	WOOD/BRIQUETTE
PIPE DIAMETER	Ø 200 MM
CO	0.041 %
WARRANTY	5 YEARS

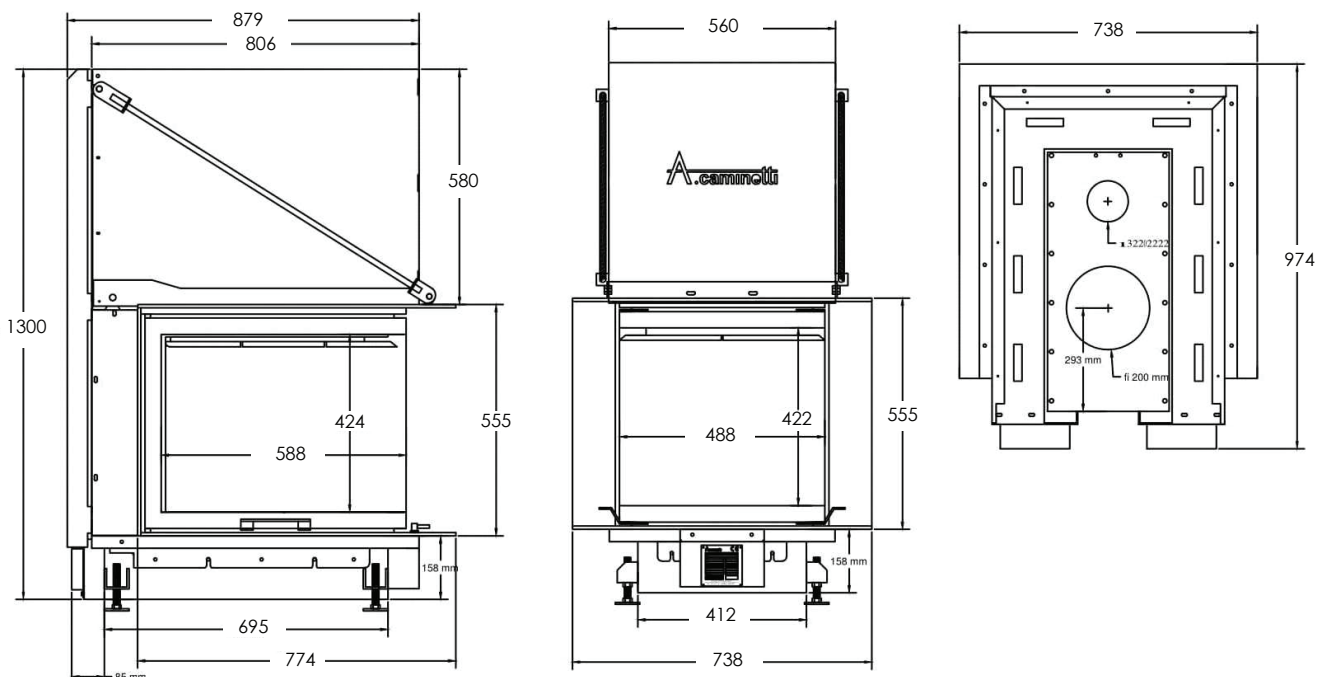
OVERALL DIMENSION

HEIGHT	1300 MM
DEPTH	738 MM
WIDTH	974 MM

flamme
VERTE



ECODESIGN
2022



GERMAN EDITION

Crystal 3D 50x70

A+



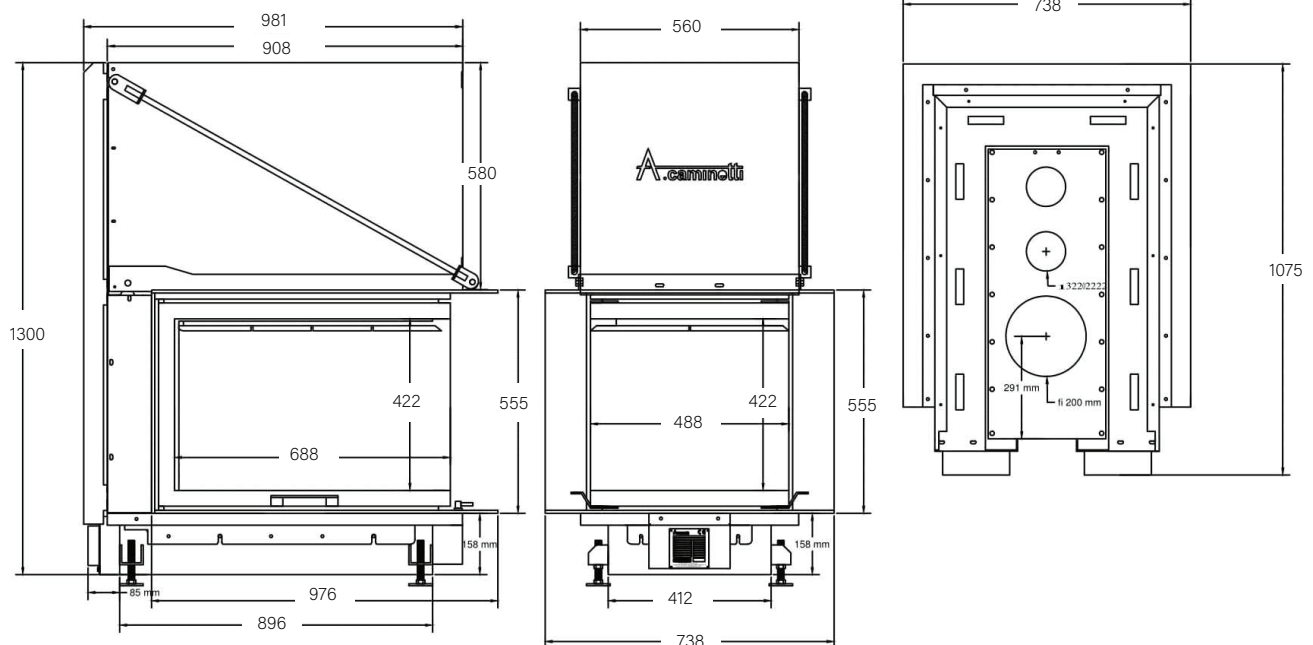
TECHNICAL SPECIFICATION

MODEL	CRYSTAL 3D 50x70
POWER	7-14 KW
EFFICIENCY	85%
CONSUME	2,7 KG/H
HOT AIR OUTLET	2 X Ø 100 MM
WEIGHT	KG
FLUE GAS TEMPERATURE	218° C
FUEL	WOOD/BRIQUETTE
PIPE DIAMETER	Ø 200 MM
CO	0.041 %
WARRANTY	5 YEARS

OVERALL DIMENSION

HEIGHT	1300 MM
DEPTH	738 MM
WIDTH	1075 MM

flamme
VERTE



GERMAN EDITION

Crystal 3D Max

A⁺



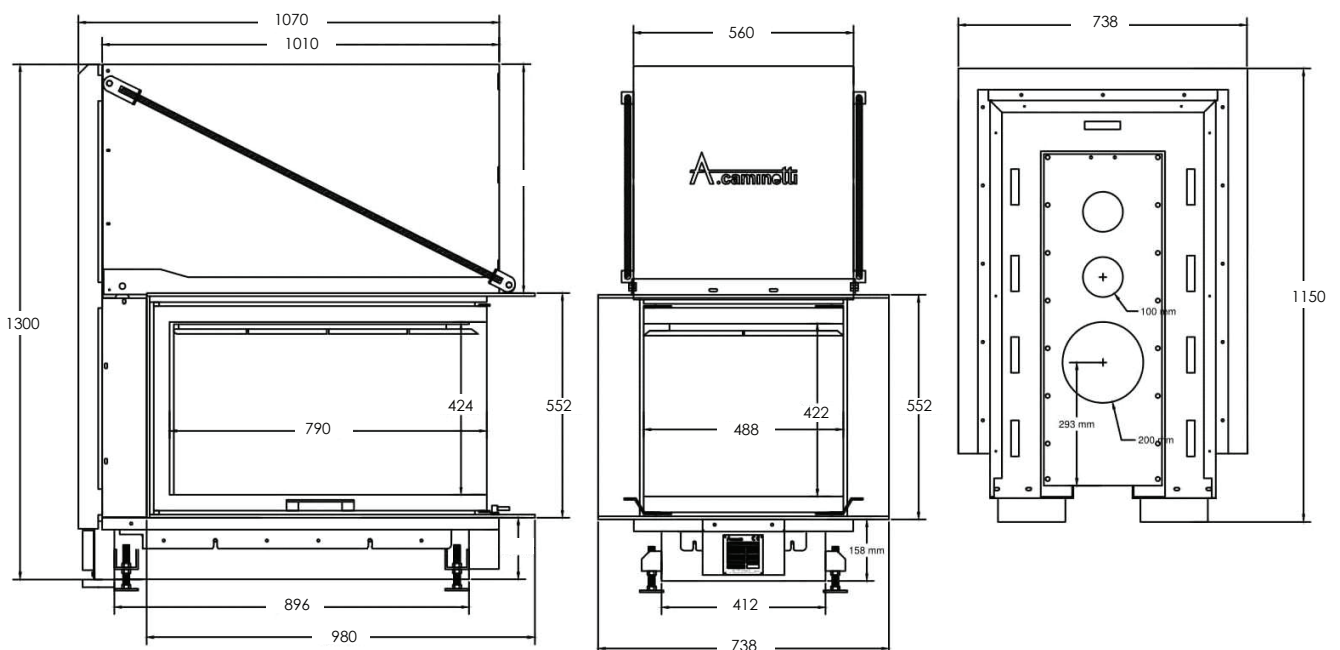
TECHNICAL SPECIFICATION

MODEL	CRYSTAL 3D MAX
POWER	13 - 17 KW
EFFICIENCY	87%
CONSUME	4,3 KG/H
HOT AIR OUTLET	2 X Ø 100 MM
WEIGHT	317 KG
FLUE GAS TEMPERATURE	220° C
FUEL	WOOD/BRIQUETTE
PIPE DIAMETER	Ø 200 MM
CO	0.031 %
WARRANTY	5 YEARS

OVERALL DIMENSION

HEIGHT	1300 MM
DEPTH	738 MM
WIDTH	1150 MM

flamme
VERTE





Quattro Series



GERMAN EDITION

Quattro 80 R

A+



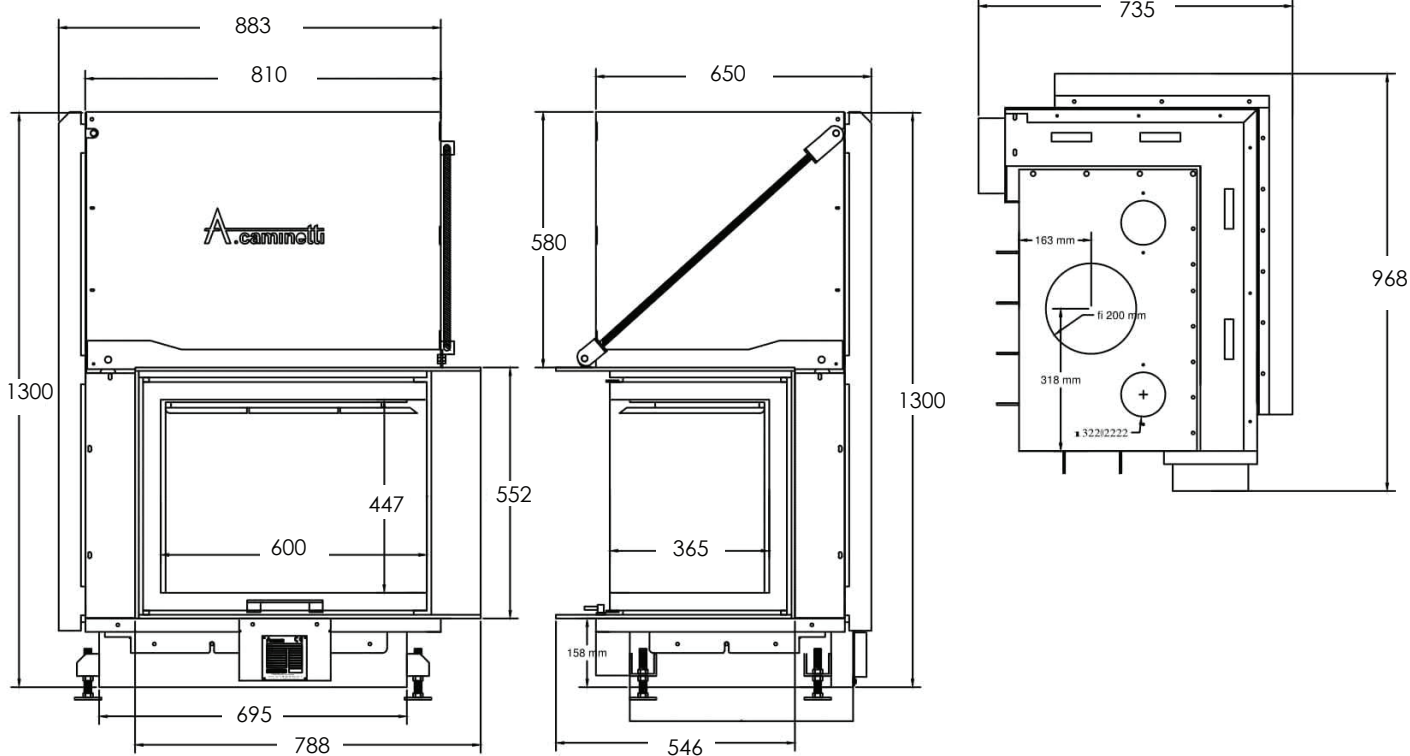
TECHNICAL SPECIFICATION

OVERALL DIMENSION

HEIGHT	1300 MM
DEPTH	735 MM
WIDTH	968 MM

MODEL	QUATTRO 80 R
POWER	7-13 KW
EFFICIENCY	89%
CONSUME	3,2 KG/H
HOT AIR OUTLET	2 X Ø 100 MM
WEIGHT	249 KG
FLUE GAS TEMPERATURE	172 ° C
FUEL	WOOD/BRIQUETTE
PIPE DIAMETER	Ø 200 MM
CO	0.036 %
WARRANTY	5 YEARS

flamme
VERTE



GERMAN EDITION

Quattro 80 L

A+



TECHNICAL SPECIFICATION

MODEL	QUATTRO 80 L
POWER	7-13 KW
EFFICIENCY	89%
CONSUME	3,2 KG/H
HOT AIR OUTLET	2 X Ø 100 MM
WEIGHT	249 KG
FLUE GAS TEMPERATURE	172° C
FUEL	WOOD/BRIQUETTE
PIPE DIAMETER	Ø 200 MM
CO	0.036 %
WARRANTY	5 YEARS

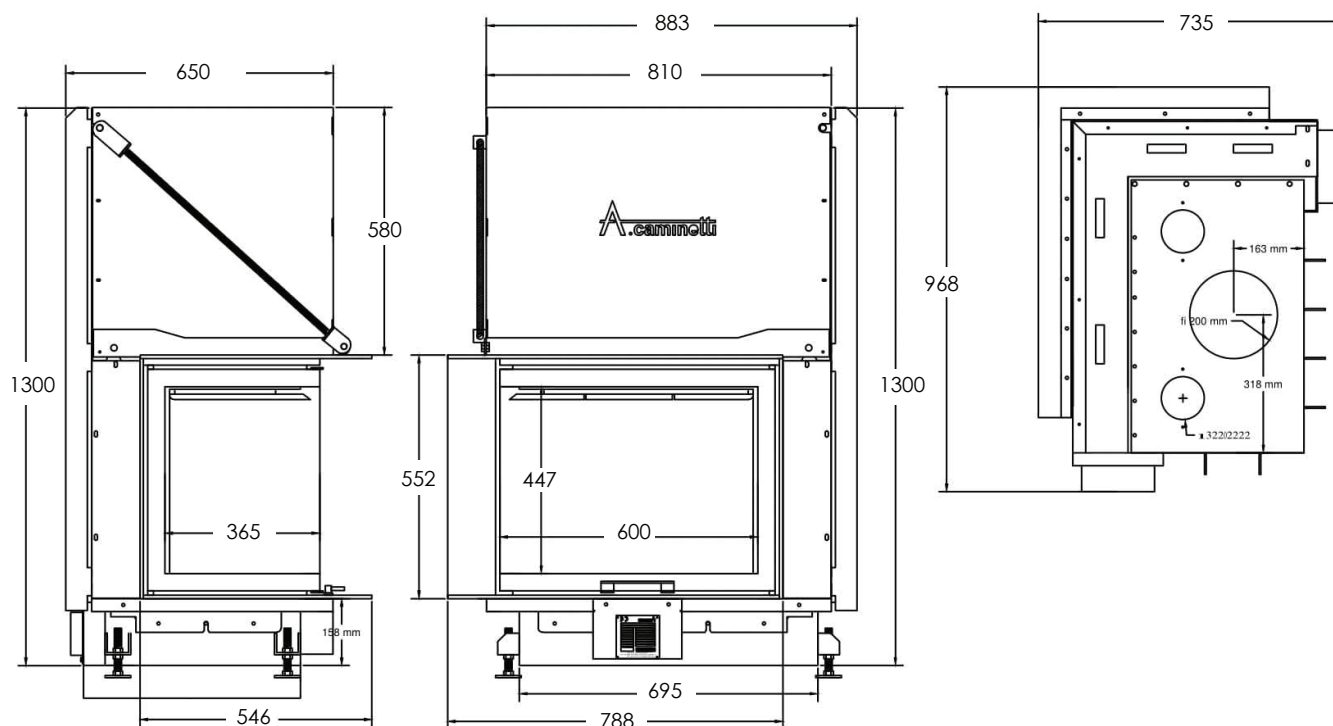
OVERALL DIMENSION

HEIGHT	1300 MM
DEPTH	735 MM
WIDTH	968 MM

flamme
VERTE



ECODESIGN
2022



GERMAN EDITION

Quattro 90 L

A⁺



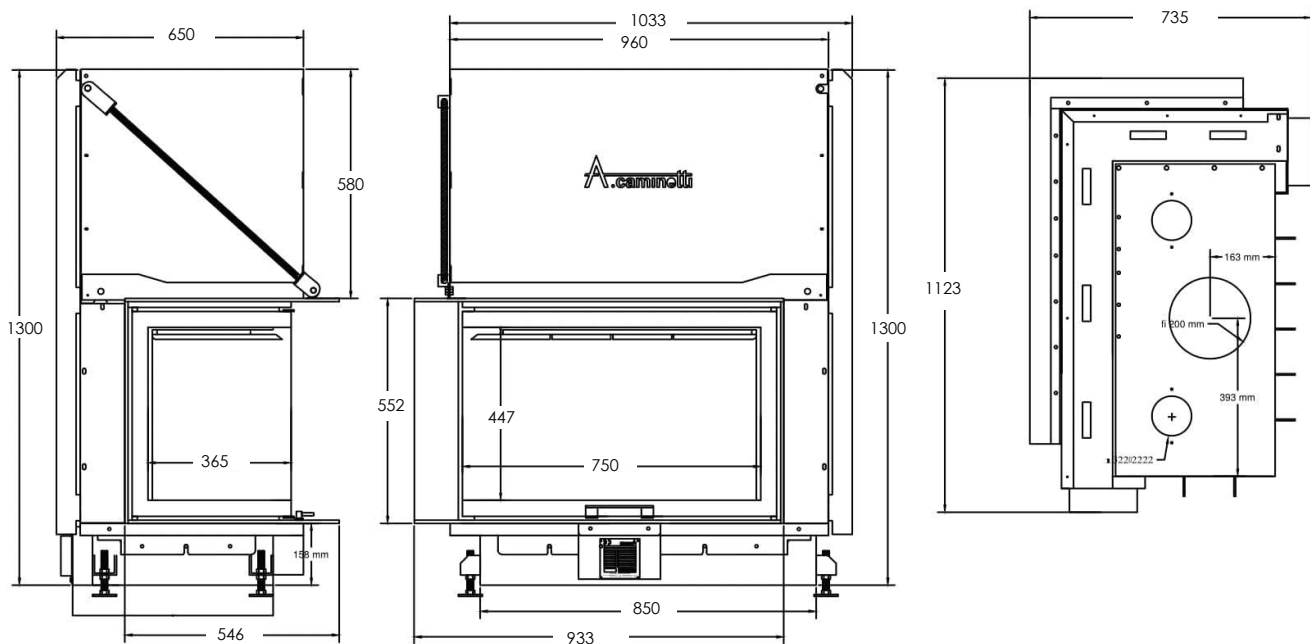
TECHNICAL SPECIFICATION

MODEL	QUATTRO 90 L
POWER	8-14 KW
EFFICIENCY	87%
CONSUME	3,7 KG/H
HOT AIR OUTLET	2 X Ø 100 MM
WEIGHT	265 KG
FLUE GAS TEMPERATURE	206° C
FUEL	WOOD/BRIQUETTE
PIPE DIAMETER	Ø 200 MM
CO	0.033 %
WARRANTY	5 YEARS

OVERALL DIMENSION

HEIGHT	1300 MM
DEPTH	735 MM
WIDTH	1123 MM

flamme
VERTE



GERMAN EDITION

Quattro 90 R

A+



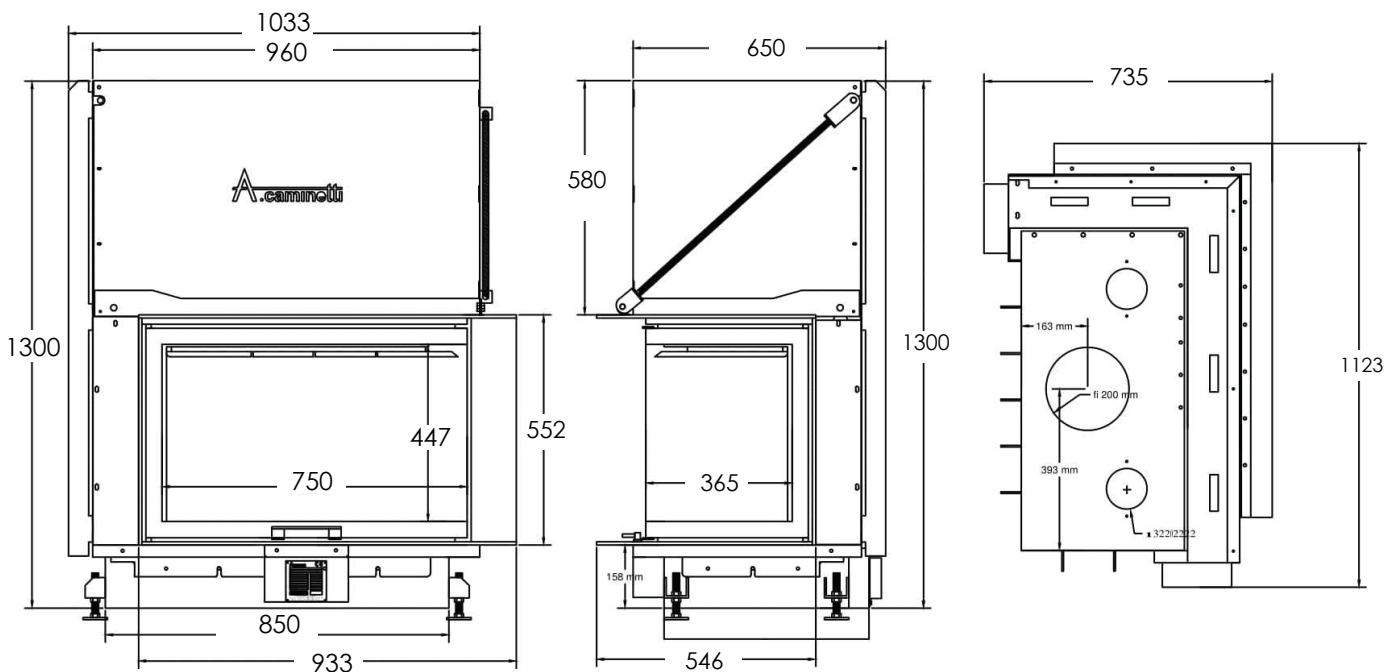
TECHNICAL SPECIFICATION

MODEL	QUATTRO 90 R
POWER	8-14 KW
EFFICIENCY	87%
CONSUME	3,7 KG/H
HOT AIR OUTLET	2 X Ø 100 MM
WEIGHT	265 KG
FLUE GAS TEMPERATURE	206° C
FUEL	WOOD/BRIQUETTE
PIPE DIAMETER	Ø 200 MM
CO	0.033 %
WARRANTY	5 YEARS

OVERALL DIMENSION

HEIGHT	1300 MM
DEPTH	735 MM
WIDTH	1123 MM

flamme
VERTE



GERMAN EDITION

Quattro 100 L

A+



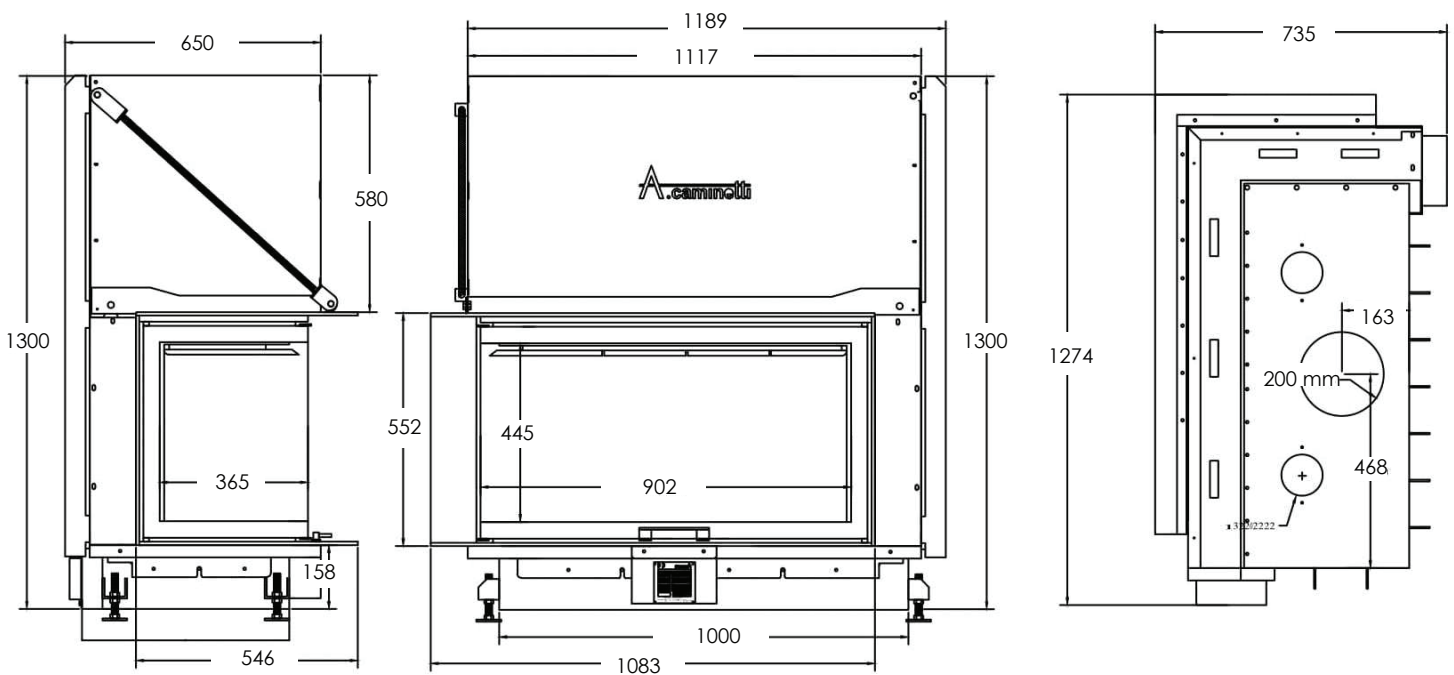
TECHNICAL SPECIFICATION

MODEL	QUATTRO 100 L
POWER	13 - 17 KW
EFFICIENCY	85%
CONSUME	4,3 KG/H
HOT AIR OUTLET	2 X Ø 100 MM
WEIGHT	354 KG
FLUE GAS TEMPERATURE	198 ° C
FUEL	WOOD/BRIQUETTE
PIPE DIAMETER	Ø 200 MM
CO	0.045 %
WARRANTY	5 YEARS

OVERALL DIMENSION

HEIGHT	1300 MM
DEPTH	735 MM
WIDTH	1274 MM

flamme
VERTE



GERMAN EDITION

Quattro 100 R

A⁺



TECHNICAL SPECIFICATION

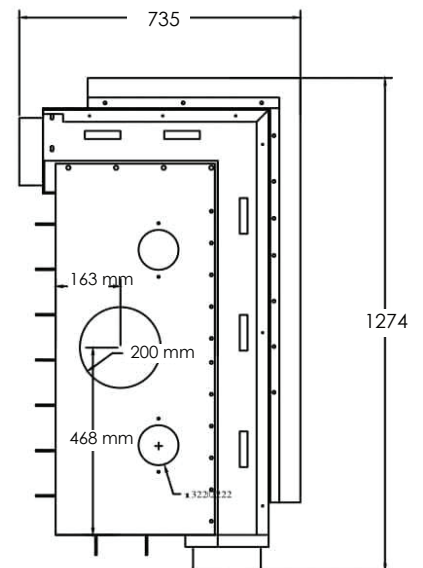
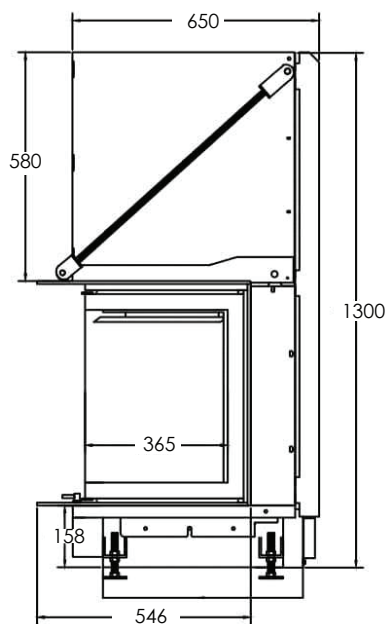
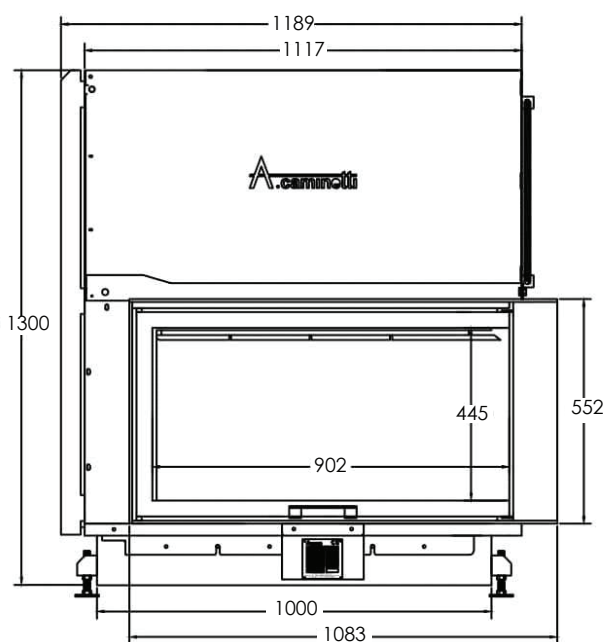
MODEL QUATTRO 100 R

POWER	13 - 17 KW
EFFICIENCY	85%
CONSUME	4,3 KG/H
HOT AIR OUTLET	2 X Ø 100 MM
WEIGHT	354 KG
FLUE GAS TEMPERATURE	198° C
FUEL	WOOD/BRIQUETTE
PIPE DIAMETER	Ø 200 MM
CO	0.045 %
WARRANTY	5 YEARS

OVERALL DIMENSION

HEIGHT	1300 MM
DEPTH	735 MM
WIDTH	1274 MM

flamme
VERTE





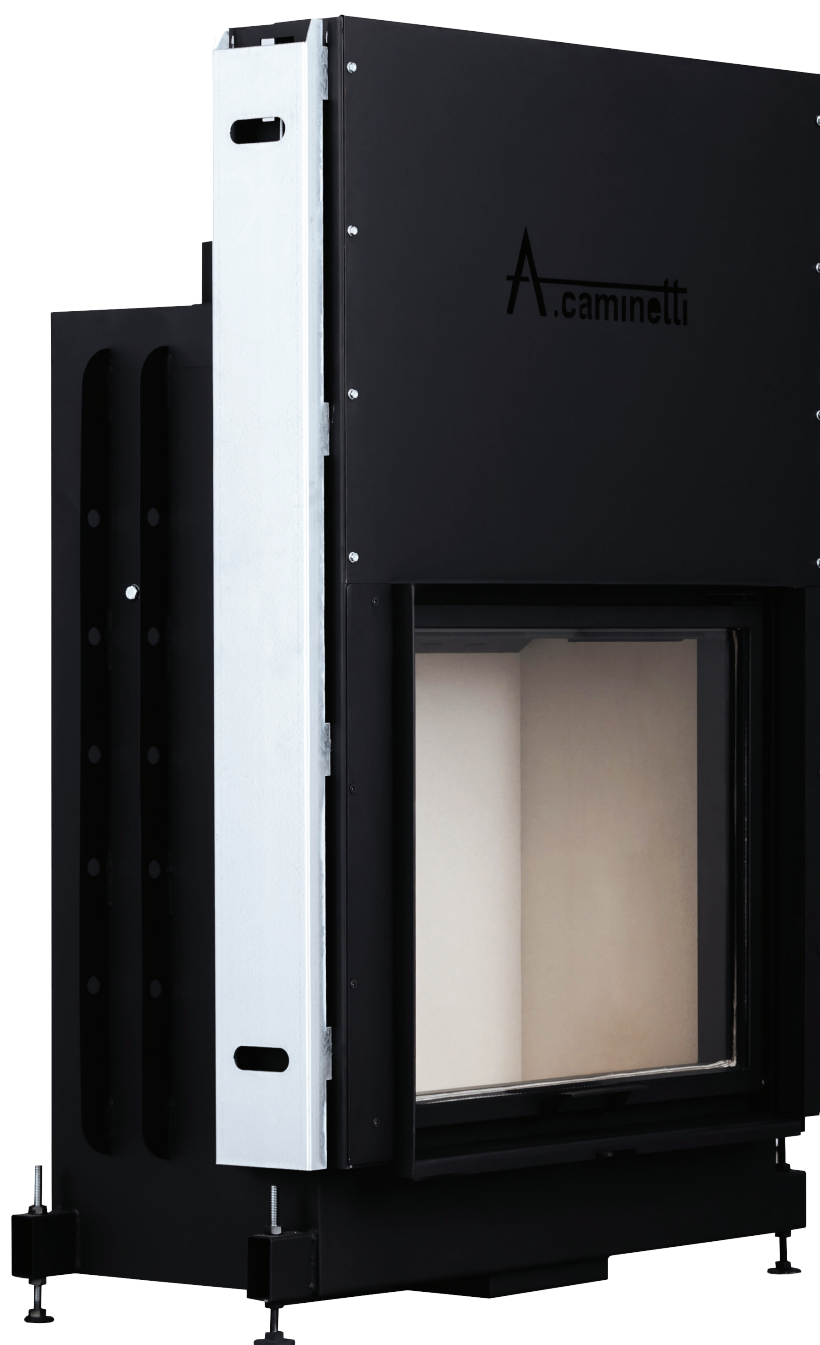


Flat Series

GERMAN EDITION

Flat 75 x 50

A⁺



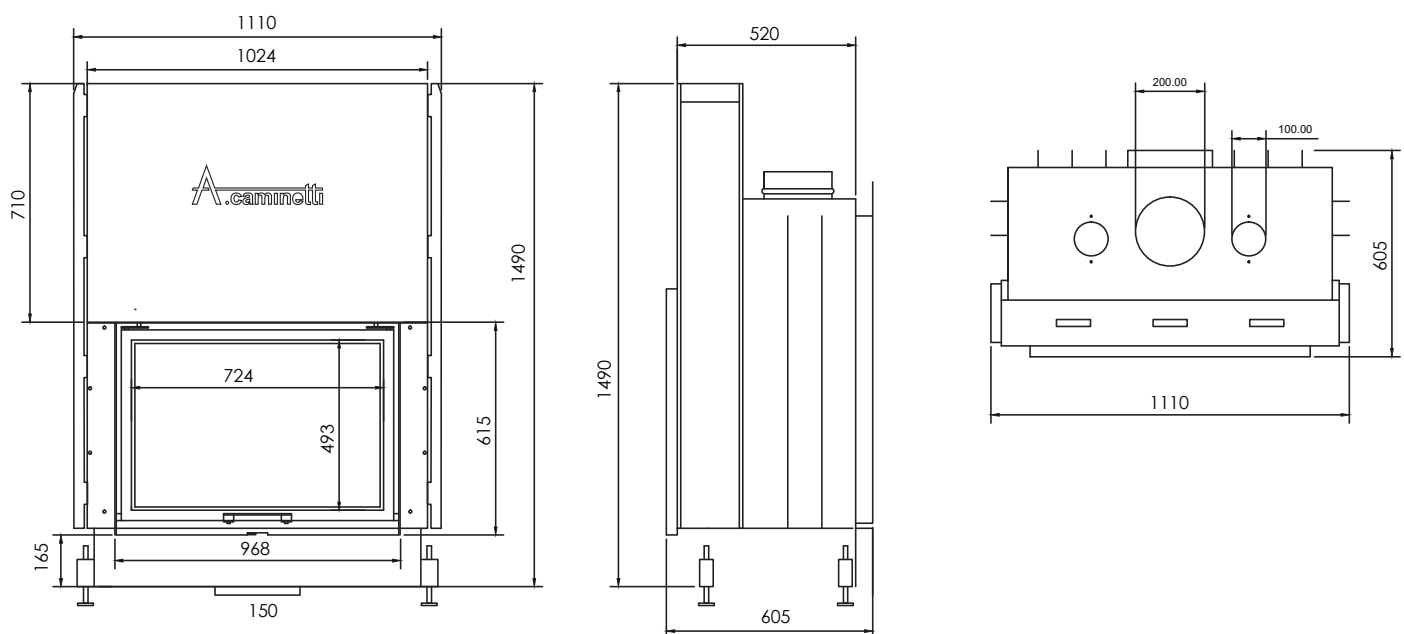
TECHNICAL SPECIFICATION

MODEL	FLAT 75 x 50
POWER	7 -14 KW
EFFICENCY	87%
CONSUME	3,5 KG/H
HOT AIR OUTLET	4 X Ø 100 MM
WEIGHT	282 KG
FLUE GAS TEMPERATURE	186° C
FUEL	WOOD/BRIQUETTE
PIPE DIAMETER	Ø 200 MM
CO	0.076 %
WARRANTY	5 YEARS

OVERALL DIMENSION

HEIGHT	1490 MM
DEPTH	605 MM
WIDTH	1110 MM

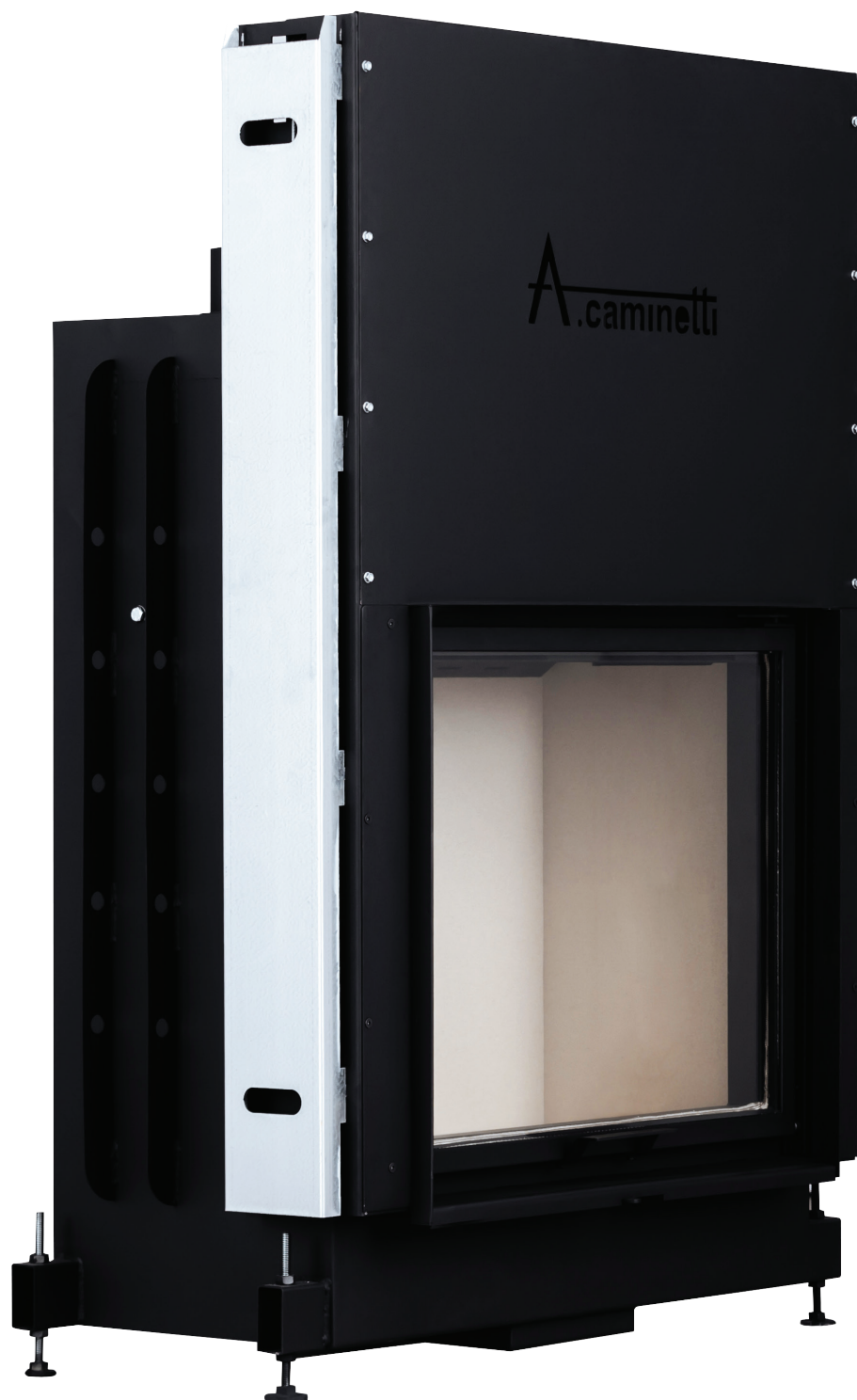
flamme
VERTE



GERMAN EDITION

Flat 75 x 60

A⁺



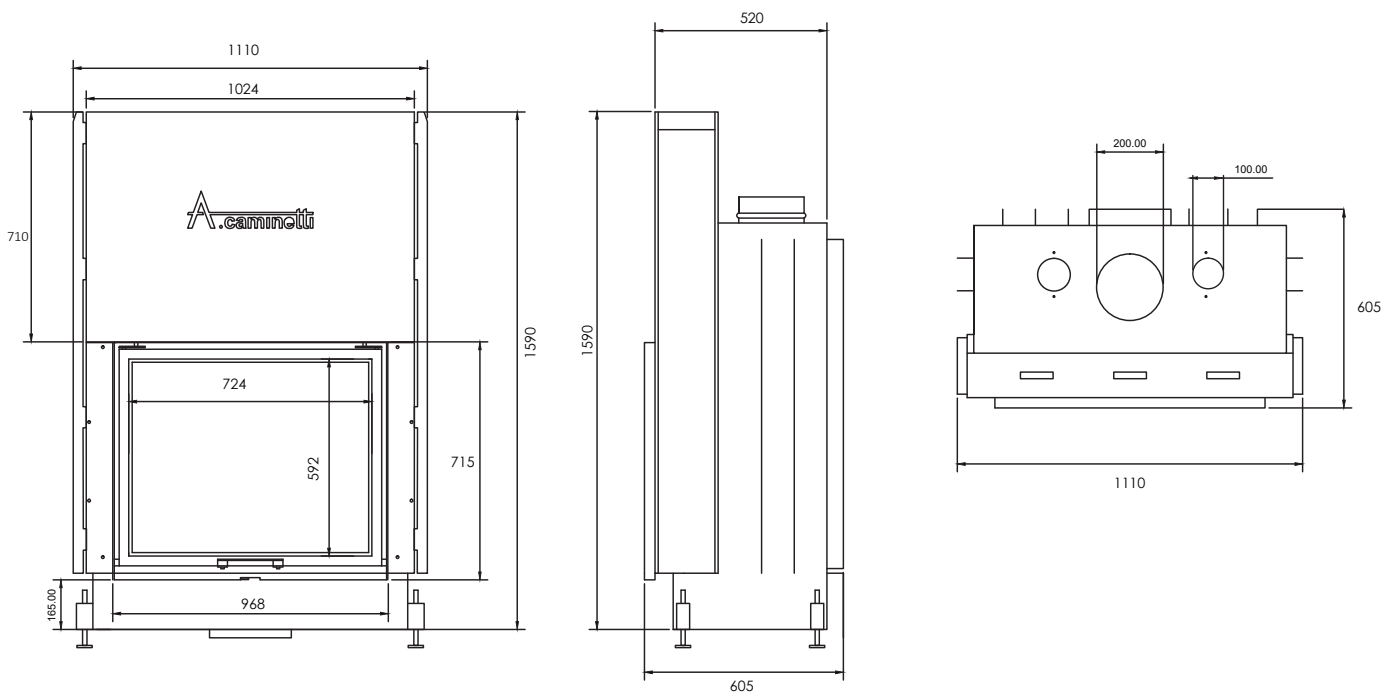
TECHNICAL SPECIFICATION

MODEL	FLAT 75 x 60
POWER	9 - 15 KW
EFFICIENCY	86%
CONSUME	3,8 KG/H
HOT AIR OUTLET	4 X Ø 100 MM
WEIGHT	261 KG
FLUE GAS TEMPERATURE	191 ° C
FUEL	WOOD/BRIQUETTE
PIPE DIAMETER	Ø 200 MM
CO	0,077 %
WARRANTY	5 YEARS

OVERALL DIMENSION

HEIGHT	1590 MM
DEPTH	605 MM
WIDTH	1110 MM

flamme
VERTE



GERMAN EDITION

Flat 90x 50

A⁺



TECHNICAL SPECIFICATION

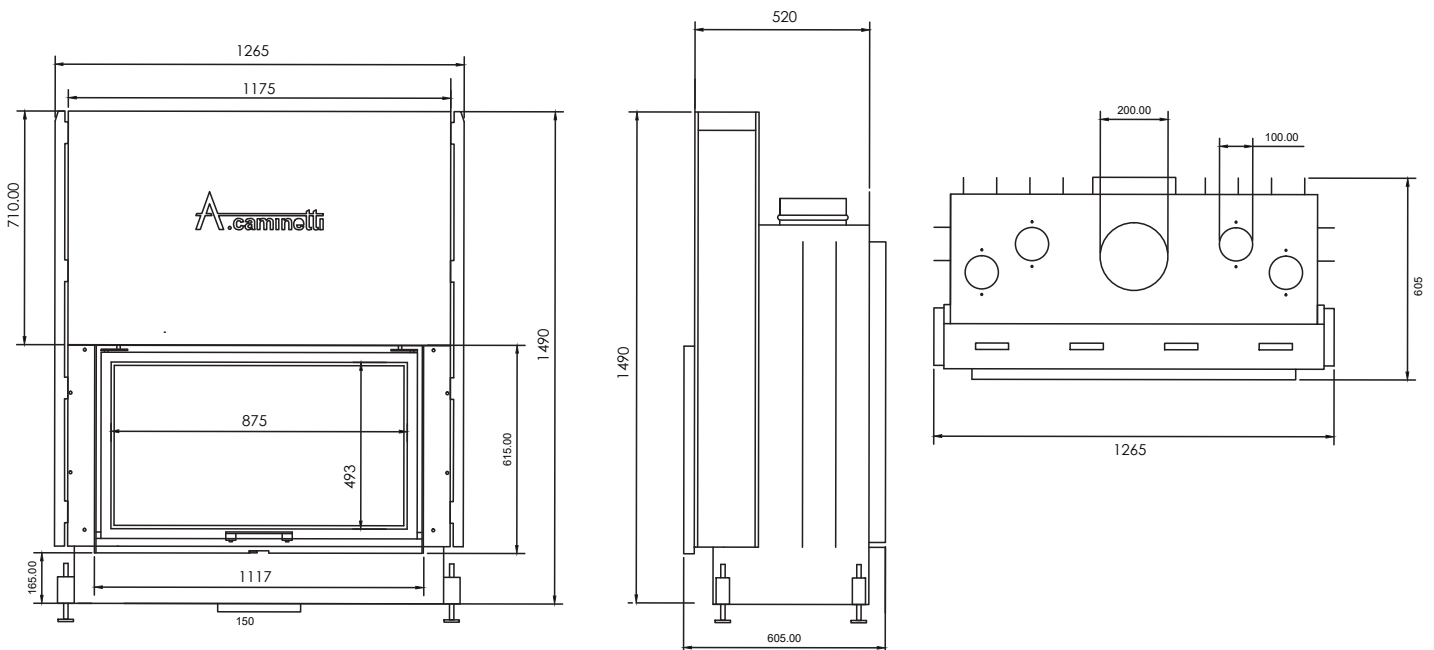
MODEL FLAT 90 x 50

POWER	13 - 18 KW
EFFICIENCY	83%
CONSUME	4,6 KG/H
HOT AIR OUTLET	4 X Ø 100 MM
WEIGHT	315 KG
FLUE GAS TEMPERATURE	207° C
FUEL	WOOD/BRIQUETTE
PIPE DIAMETER	Ø 200 MM
CO	0.081 %
WARRANTY	5 YEARS

OVERALL DIMENSION

HEIGHT	1490 MM
DEPTH	605 MM
WIDTH	1265 MM

flamme
VERTE



GERMAN EDITION

Flat 90 x 60

A⁺



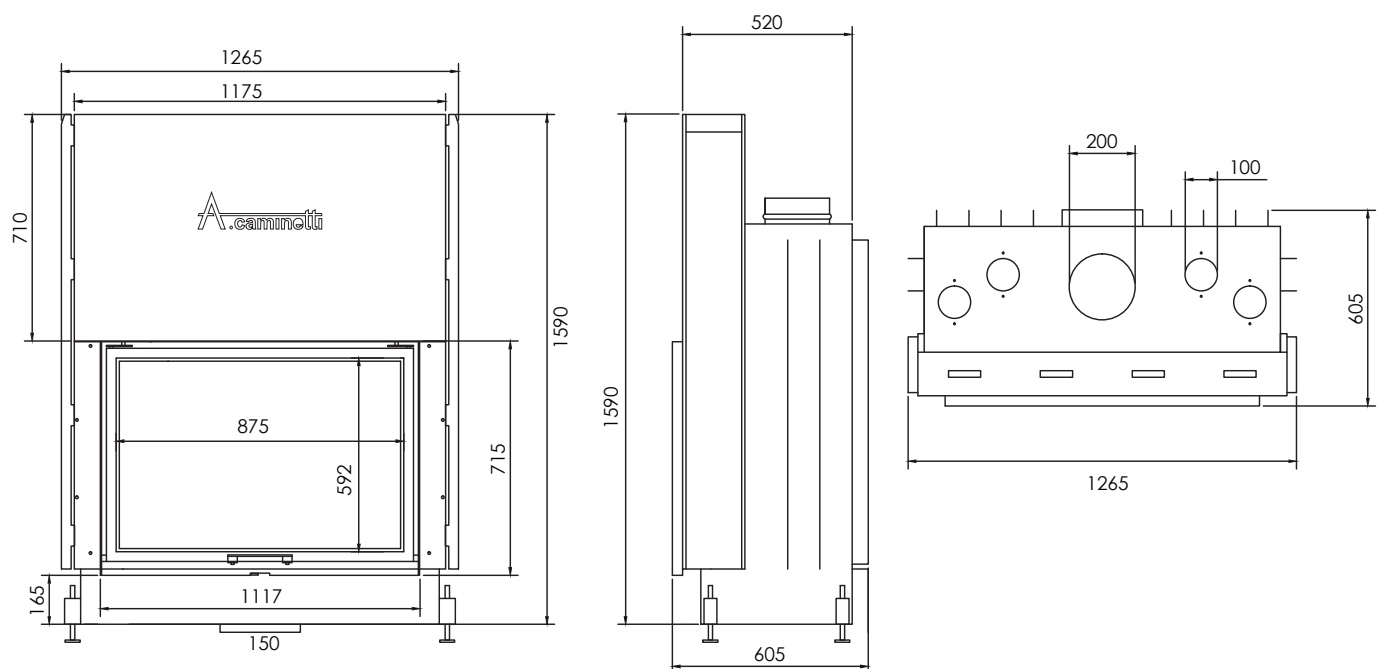
TECHNICAL SPECIFICATION

OVERALL DIMENSION

MODEL	FLAT 90 x 60
POWER	13 - 19 KW
EFFICENCY	83%
CONSUME	4,9 KG/H
HOT AIR OUTLET	4 X Ø 100 MM
WEIGHT	333 KG
FLUE GAS TEMPERATURE	215 ° C
FUEL	WOOD/BRIQUETTE
PIPE DIAMETER	Ø 200 MM
CO	0.082 %
WARRANTY	5 YEARS

HEIGHT	1590 MM
DEPTH	605 MM
WIDTH	1265 MM

flamme
VERTE



GERMAN EDITION

Flat 90 x 70

A⁺



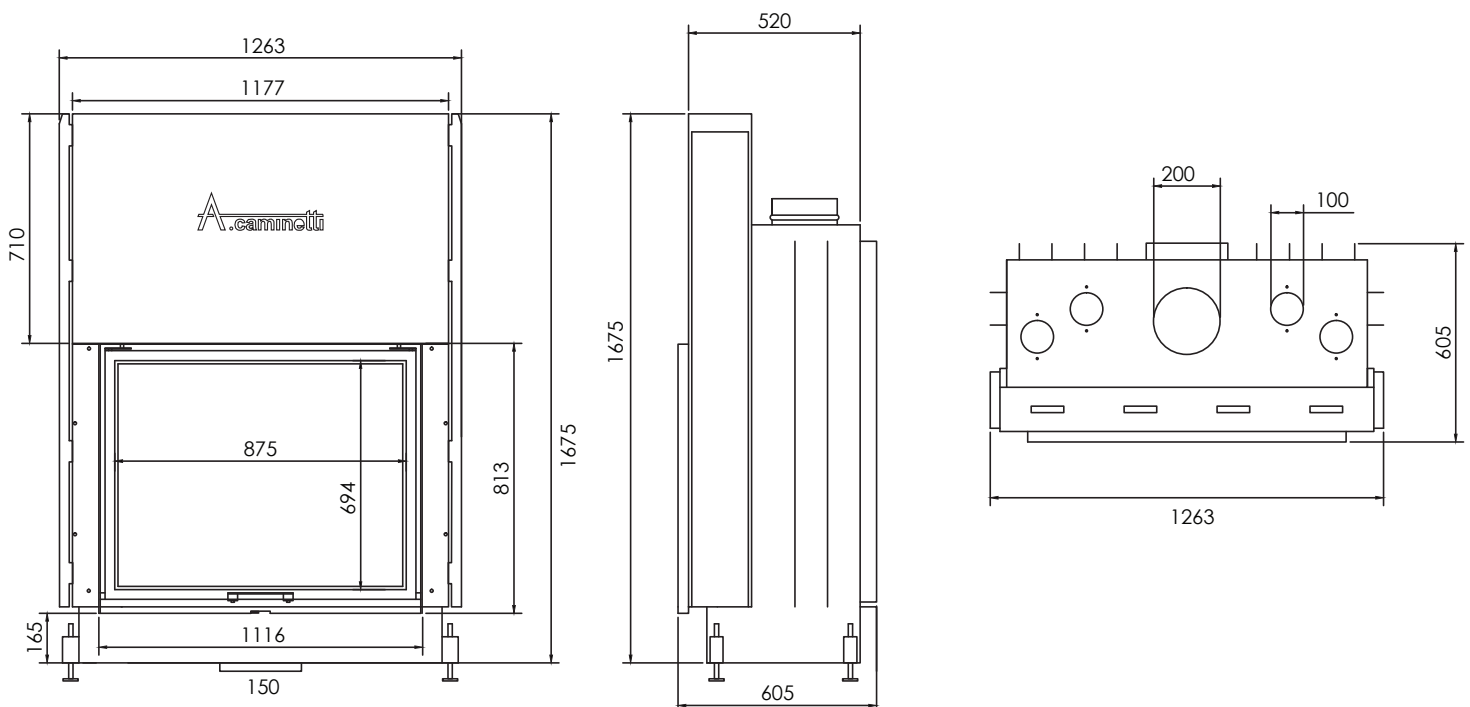
TECHNICAL SPECIFICATION

MODEL	FLAT 90 x 70
POWER	13 - 19 KW
EFFICIENCY	83%
CONSUME	4,9 KG/H
HOT AIR OUTLET	4 X Ø 100 MM
WEIGHT	369 KG
FLUE GAS TEMPERATURE	212 ° C
FUEL	WOOD/BRIQUETTE
PIPE DIAMETER	Ø 200 MM
CO	0.082 %
WARRANTY	5 YEARS

OVERALL DIMENSION

HEIGHT	1675 MM
DEPTH	605 MM
WIDTH	1263 MM

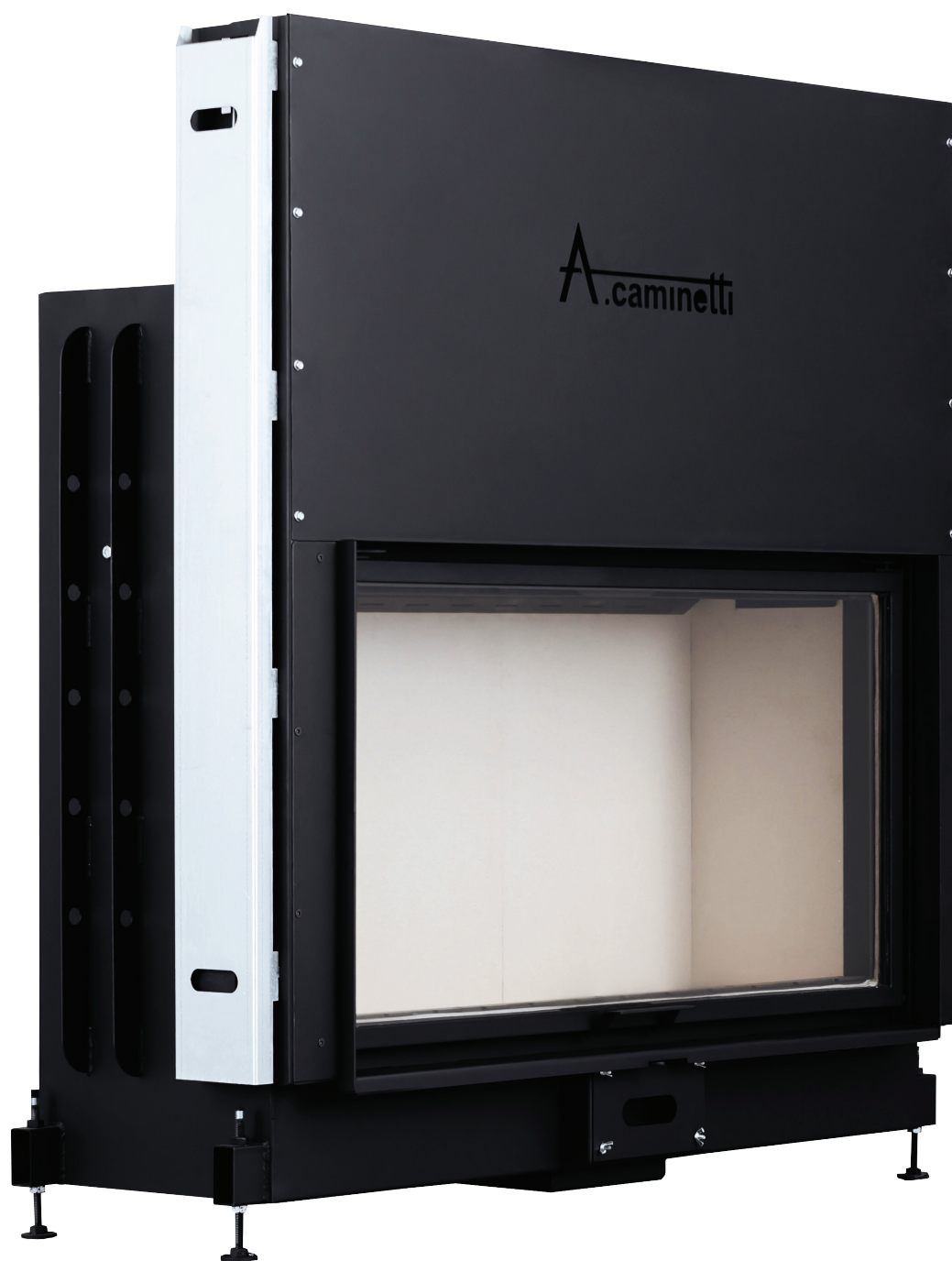
flamme
VERTE



GERMAN EDITION

Flat 120 x 50

A⁺



TECHNICAL SPECIFICATION

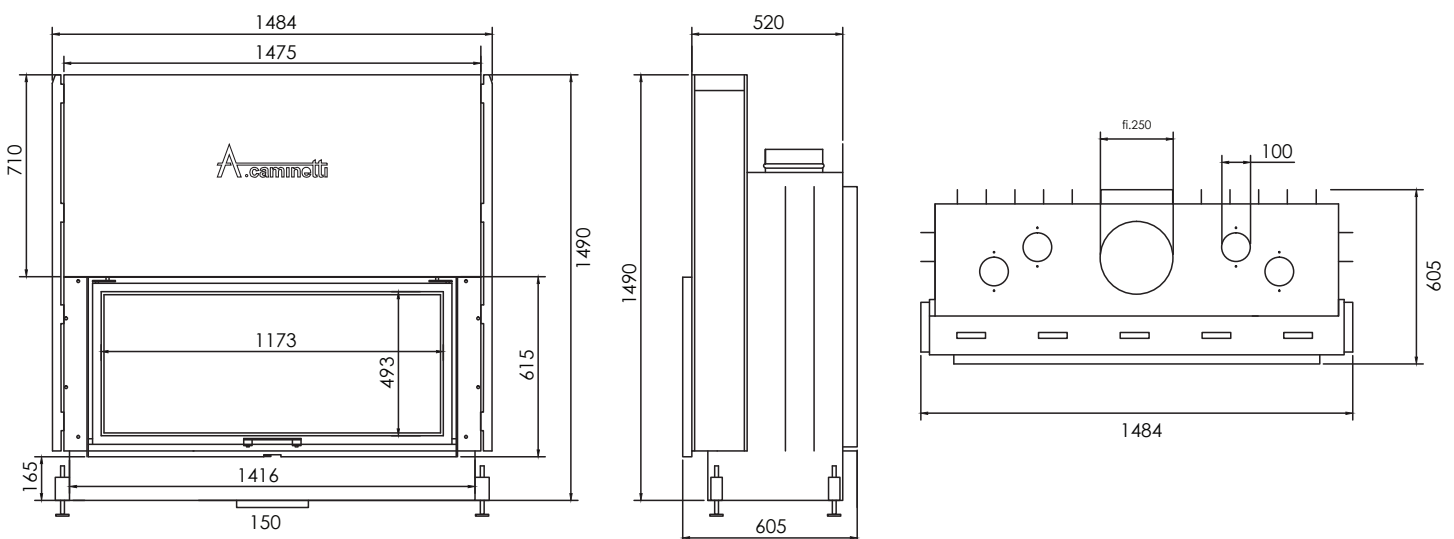
MODEL FLAT 120 x 50

POWER	15-21 KW
EFFICENCY	81%
CONSUME	5,4 KG/H
HOT AIR OUTLET	4 X Ø 100 MM
WEIGHT	329 KG
FLUE GAS TEMPERATURE	222° C
FUEL	WOOD/BRIQUETTE
PIPE DIAMETER	Ø 250 MM
CO	0.084 %
WARRANTY	5 YEARS

OVERALL DIMENSION

HEIGHT	1490 MM
DEPTH	605 MM
WIDTH	1484 MM

flamme
VERTE



GERMAN EDITION

Flat W 75 x 60

A+

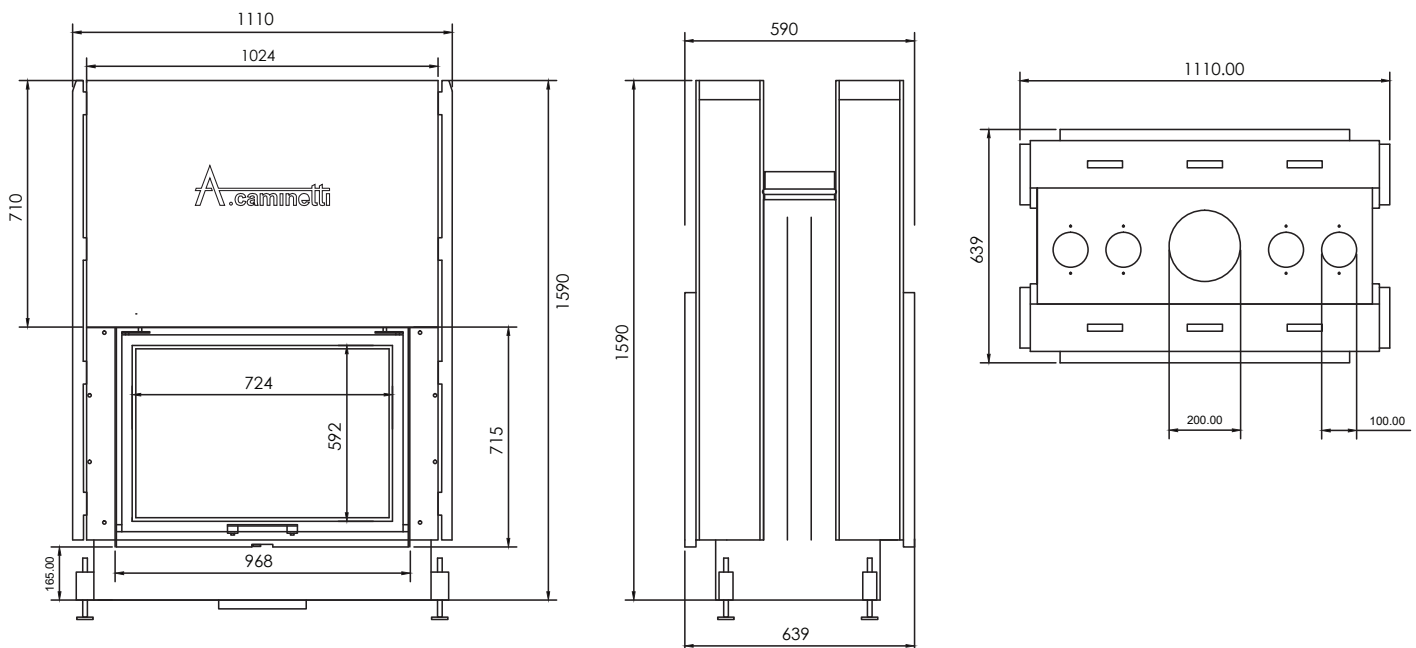


TECHNICAL SPECIFICATION

MODEL	FLAT W 75 x 60
POWER	9 - 15 KW
EFFICIENCY	81 %
CONSUME	3,8 KG/H
HOT AIR OUTLET	4 X Ø 100 MM
WEIGHT	324 KG
FLUE GAS TEMPERATURE	250 ° C
FUEL	WOOD/BRIQUETTE
PIPE DIAMETER	Ø 200 MM
CO	0.087%
WARRANTY	5 YEARS

OVERALL DIMENSION

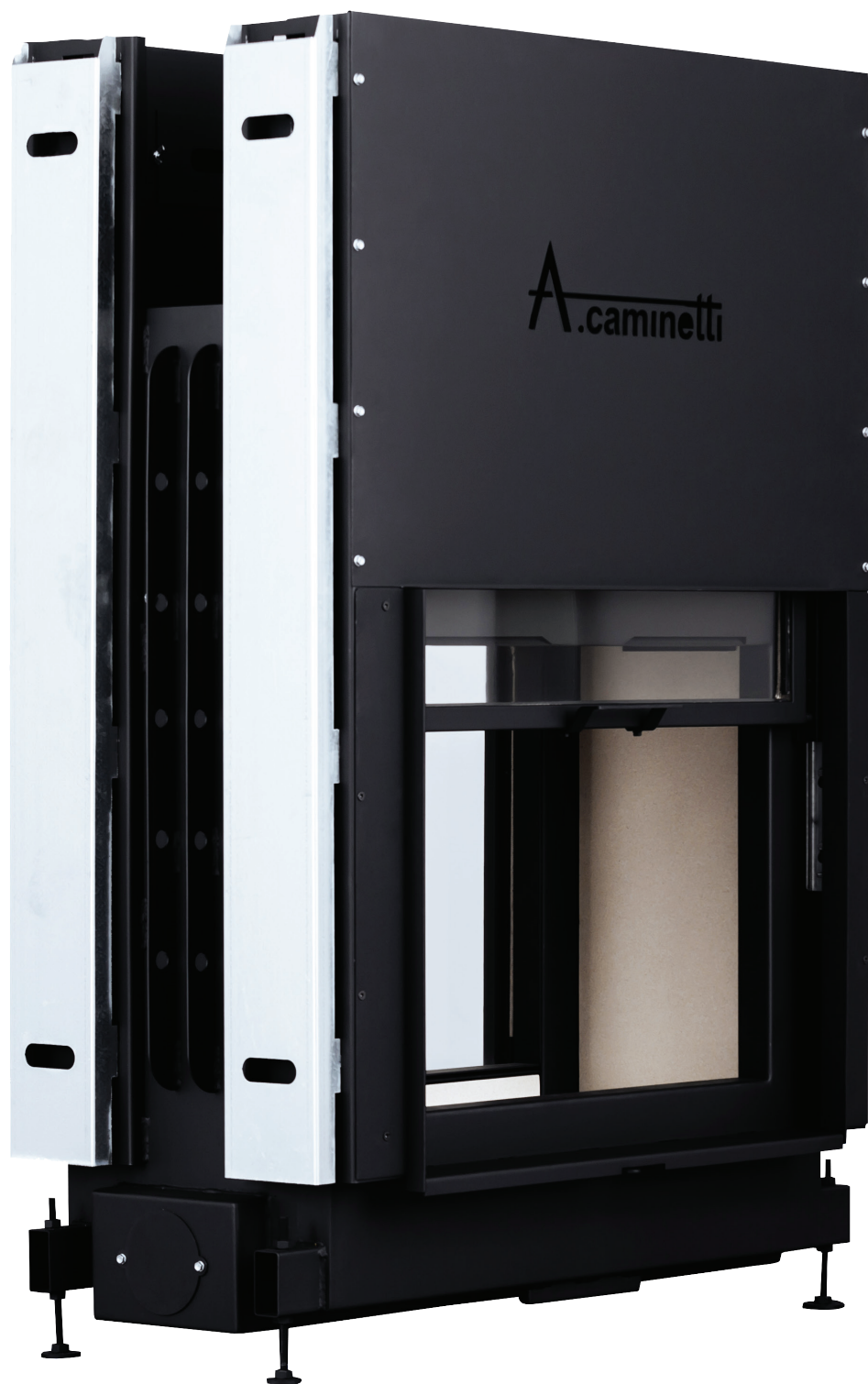
HEIGHT	1590 MM
DEPTH	639 MM
WIDTH	1110 MM



GERMAN EDITION

Flat W 90 x 60

A+

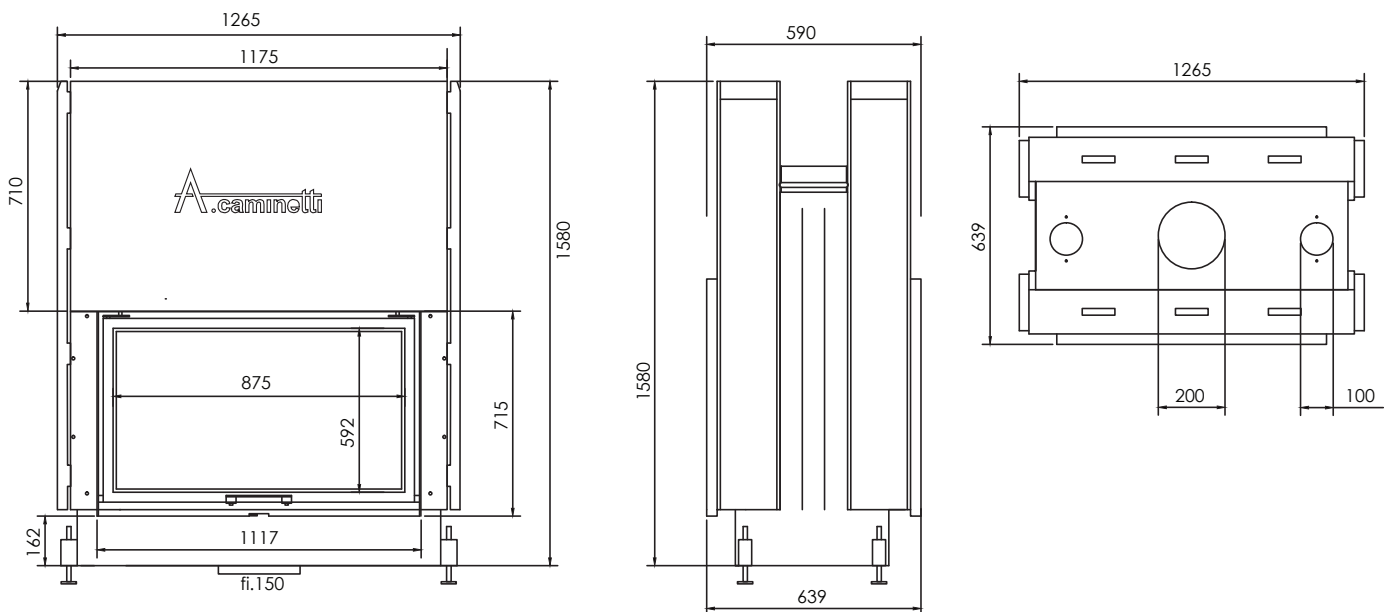


TECHNICAL SPECIFICATION

OVERALL DIMENSION

MODEL	FLAT W 90 x 60
POWER	13 - 19 KW
EFFICIENCY	82%
CONSUME	4,9 KG/H
HOT AIR OUTLET	4 X \varnothing 100 MM
WEIGHT	383 KG
FLUE GAS TEMPERATURE	220 ° C
FUEL	WOOD/BRIQUETTE
PIPE DIAMETER	\varnothing 200 MM
CO	0.092 %
WARRANTY	5 YEARS

HEIGHT	1580 MM
DEPTH	639 MM
WIDTH	1265 MM



Flat W 120 x 60

A⁺



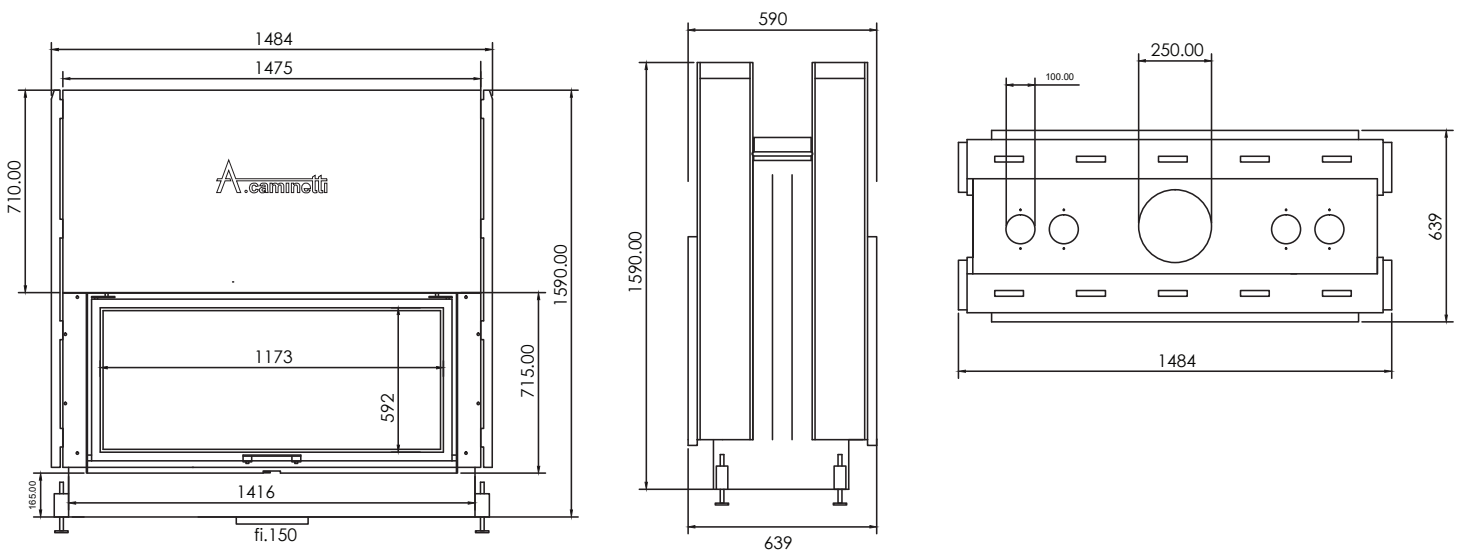
TECHNICAL SPECIFICATION

MODEL FLAT W 120 x 60

POWER	15 - 21 KW
EFFICIENCY	80 %
CONSUME	5,4 KG/H
HOT AIR OUTLET	4 X Ø 100 MM
WEIGHT	416 KG
FLUE GAS TEMPERATURE	265° C
FUEL	WOOD/BRIQUETTE
PIPE DIAMETER	Ø 250 MM
CO	0.11 %
WARRANTY	5 YEARS

OVERALL DIMENSION

HEIGHT	1590 MM
DEPTH	639 MM
WIDTH	1484 MM



LOCATION

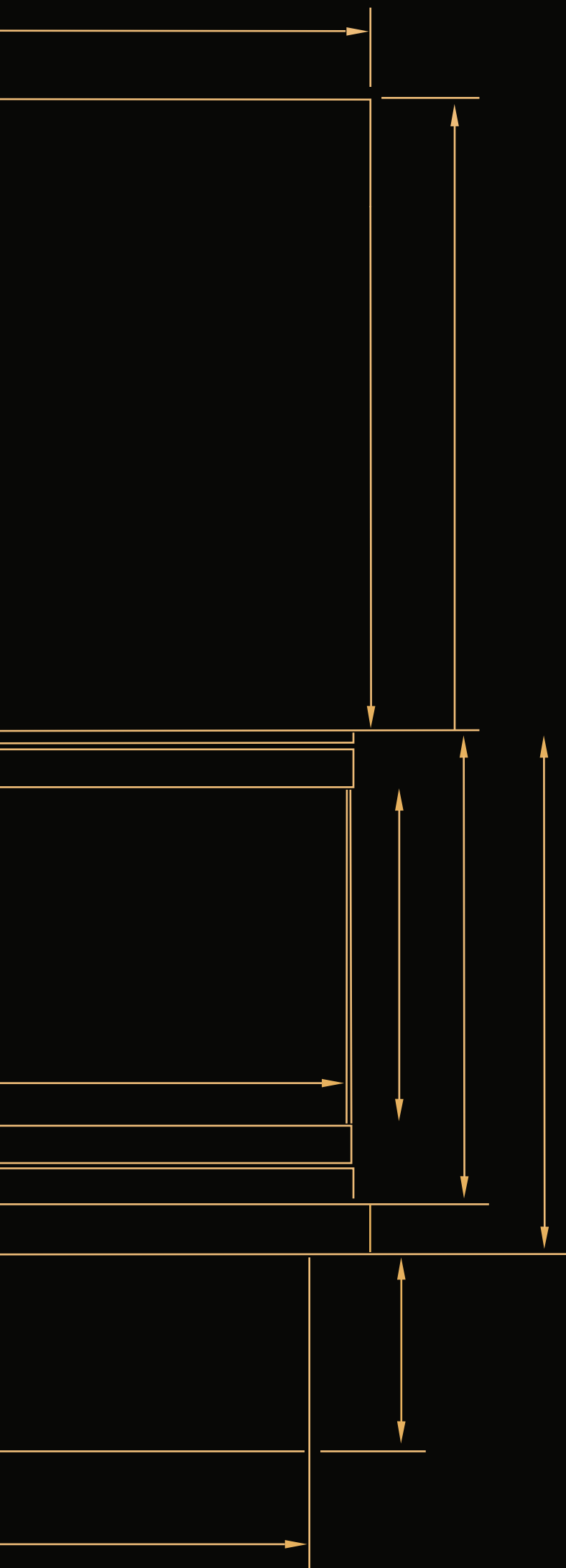


A.caminetti Factory: National road, km 2 Korçë-Ersekë, Albania.



A.caminetti GmbH Lager: Am Industriegleis 6a, 84030 Ergolding, Germany.

*You always have a choice,
make the right one!*



A.caminetti

- Factory address:**
National Road, Km 2, Korçë-Ersekë, Albania
- Warehouse address:**
Am Industriegleis 6a, 84030 Ergolding, Germany
- info@acaminetti-factory.com
- ergolding@acaminetti-factory.com
- www.acaminetti-factory.com